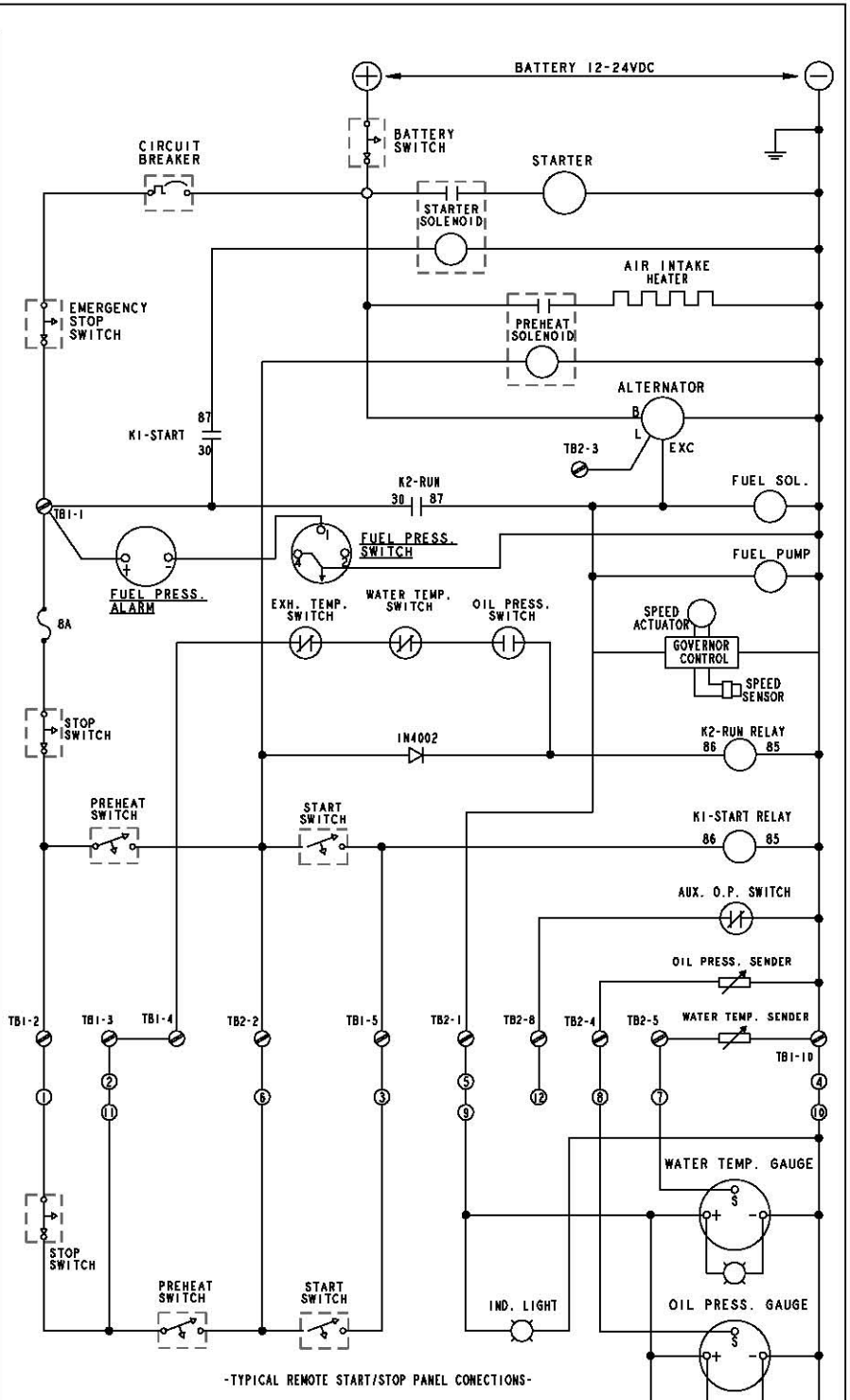
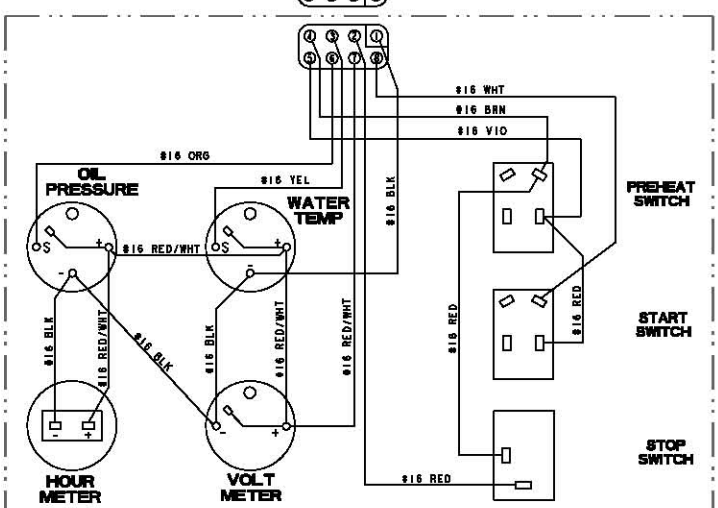
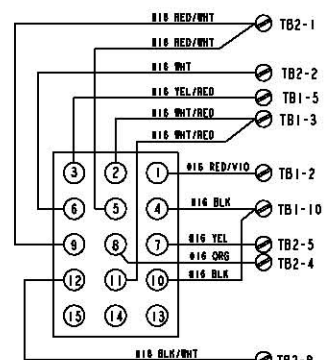


NOTE:  
 1. REMOVE JUMPER WHEN CONNECTING A SECOND REMOTE PANEL.  
 2. GROUND "1" TERMINAL OF PREHEAT SOLENOID ON 24V SYSTEM ONLY.



NOTE:  
 ○ REMOTE CONECTOR PINS

TOLERANCES		WESTERBEKE CORPORATION	
UNLESS OTHERWISE SPECIFIED		AVON MA. 02322	
INCHES	FRACTIONS	WIRING DIAGRAM/SCHEMATIC,	
32	1/32	32.0 BEDA-SRC DOUBLE WALL FUEL LINE	
64	1/64	DATE	REVISED
128	1/128	BY	DATE
DIMENSIONS	UNLESS OTHERWISE SPECIFIED	APPROVED BY	DATE
INCHES	NONE	BY	DATE
FRACTIONS	NONE	NO. 48659	
THIS DRAWING IS UNLESS OTHERWISE SPECIFIED		PAGE 1 OF 1	